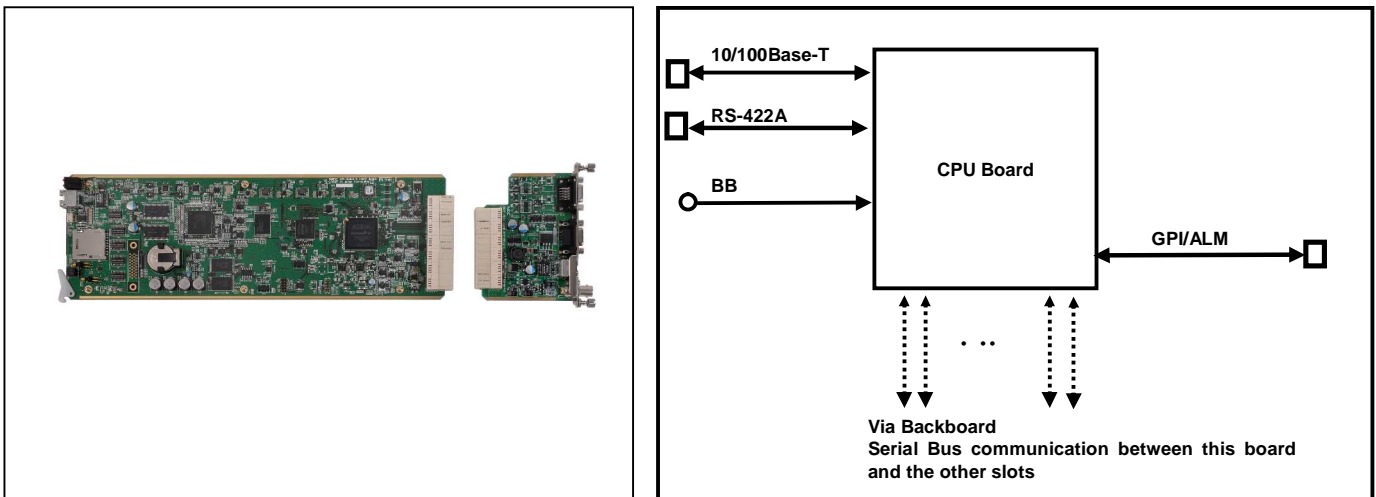


XF7-CT30 CPU (XCONT) Board

The XF7-CT30 board performs the total monitoring control for each board installed in the XF-700 series frames.



Features

XF700 series ENC&MUX frame control function

- This board performs setting for each board installed in the ENC&MUX frame.

Setting control

- You can control each board setting through Web and remote communication messages.

Monitoring control

- This board can notify the external equipment of each board alarm information through SNMP Trap.
- You can monitor each board status from the external equipment through SNMP MIB.

Alarm contact output function

- This board can output the contacts of CPU trip, power supply alarm and FAN alarm.

Synchronization function

- This board is able to carry out operations synchronized with the reference signal (black burst.)

Specifications

Input signal	(1) Black burst signal RS170A	1 channel
Control signal	(1) Monitoring control interface 10/100Base-T Ethernet (IEEE 802.3)	1 channel
	(2) Serial port (option) RS-422A	1 channel
	(3) CPU alarm output No-voltage contact	1 channel
	(4) FAN alarm output No-voltage contact	1 channel
	(5) PS unit-1 alarm output No-voltage contact	1 channel
	(6) PS unit-2 alarm output No-voltage contact	1 channel
	(7) CPU reset input No-voltage contact	1 channel
	(8) General-purpose input No-voltage contact	2 channels
	(9) General-purpose output Open collector	2 channels
Operation temperature	0 °C to 40 °C	
Power supply	+12V DC: 0.6 A	
Power consumption	Approx. 9.2 W	
External dimensions	Front board: 114 mm × 340 mm (H × D) Rear board: 116 mm × 80 mm (H × D)	
Weight	Front board: 500 g or less Rear board: 200 g or less	

Safety precautions

To install, make connections and operate this product, please carefully read and observe instructions, precautions and recommendations in our instruction manuals.

The colours in this brochure may differ from those of the actual unit. Designs and specifications of this product is subject to change without prior notice.

NEC Corporation
International Sales Division
Broadcast and Video Systems
 7-1, Shiba 5-chome, Minato-ku, Tokyo,
 108-8001, Japan
 Tel: +81-3-3798-5463
 Fax: +81-3-3798-8476

NEC Europe Ltd.
Network Solutions Division
 NEC House, 1 Victoria Road, London
 W3 6BL, United Kingdom
 Tel: +44-(0)20-8993-8111
 Fax: +44-(0)20-8752-3735

NEC India Pvt. Limited
 7th Floor, Ashoka Estate
 24 Barakhamba Road,
 New Delhi - 110 001
 Tel: +91-(0)11-2331-3633
 Fax: +91-(0)11-2332-4259

NEC de Colombia S.A.
 Carrera 9 No. 80 – 32
 Bogotá, D.C. – Colombia
 Tel: +57-1-644-5600
 Fax: +57-1-644-5648

ISO 9000 Series

 ISO 9001 JMI-0119
 NEC Broadcast and Video

ISO 14001

 JQA-E-90066
 NEC