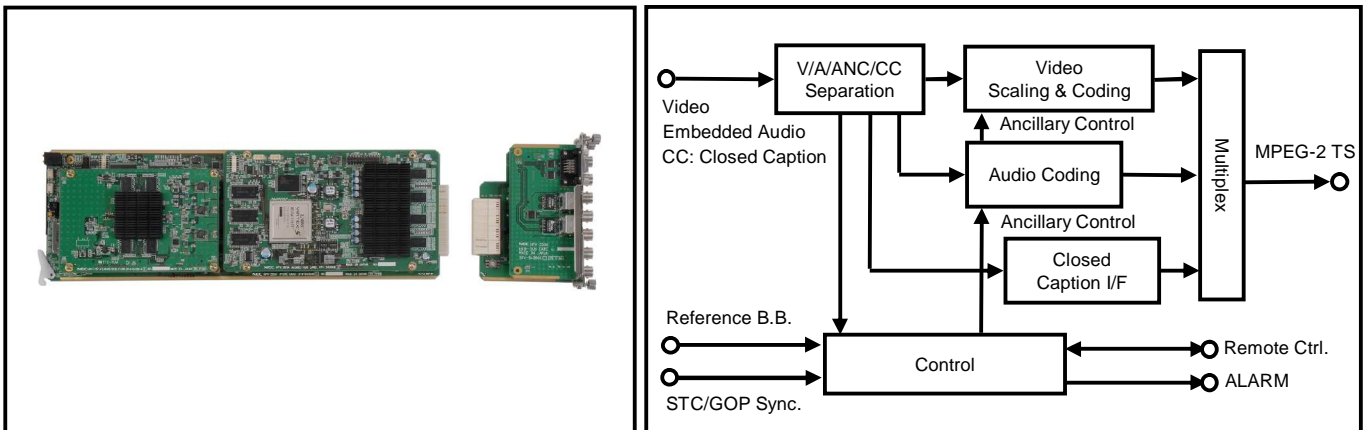


XE-7030

One Segment Broadcasting Encoder Board

The XE-7030 is ideal for ISDB-Tb mobile TV service, One-Seg. The compact-designed encoder board is one of the application modules mounted in NEC MF-730/XF-730 integrated signal processing platform. With NEC outstanding specified-color-adaptive coding algorithm, the XE-7030 carries high quality pictures with low deterioration.



Features

Video Encoding

- Video Compression Format : H.264/MPEG-4 AVC coding standard up to Baseline Profile Level 1.3.
- The specified-color-adaptive coding algorithm.

Audio Encoding

- Audio Compression Format : MPEG-2/MPEG-4 AAC LC Profile, and HE-AAC coding standards.

Digital Closed Caption Data Packetization

- The closed caption data which is embedded in input video signal (compliant with ARIB STD-37) can output with TS closed caption packet.

Ancillary Control

- Real time aspect ratio switching and audio mode switching can be controlled by the inter-stationary control signal (compliant with ARIB STD B-39).

Compact and Space-efficient

XE-7030 is designed to be mounted in MF-730/XF-730 integrated signal processing platform

- Up to 7 boards in MF-730 Frame.
- Up to 4 boards in XF-730 Frame.

XE-7030 Encoder Board of One segment broadcasting

Specification

Input signal Output signal	<p>(1) Input Signal</p> <ul style="list-style-type: none"> 1080i serial digital component video Standard: SMPTE-274M, I/F: SMPTE-292M, Frame freq.: 29.97Hz, Interlace ratio: 2:1 480i serial digital component video Standard: ITU-R BT.601, I/F: SMPTE-259M, Frame freq.: 29.97Hz, Interlace ratio: 2:1 Audio format Embedded Audio (8ch) Closed caption Standard: ARIB STD B-37 <p>(2) Output Signal</p> <ul style="list-style-type: none"> MPEG-2 TS (Transport Stream) I/F: DVB-ASI Format: (204,188) or (188), Mode: byte or packet mode
Video Encoding	<ul style="list-style-type: none"> Coding scheme ITU-T Rec.H.264 ISO/IEC14496-10 Baseline@Level 1.3 Number of coding pixels (Horizontal pixels x Vertical lines) 320x180 (QVGA,16:9) 320x240(QVGA,4:3) Video ES bit rate range 64 – 384kbps
Audio Encoding	<ul style="list-style-type: none"> Coding scheme MPEG-2 AAC LC-profile, HE-AACv1 MPEG-4 AAC LC-profile, HE-AACv1, v2 Audio mode 1/0, 1/0 + 1/0, 2/0 Streaming Format LATM/LOAS and ADTS
Control	Inter-stationary control signal (ARIB STD B-39 compliant), Ethernet
Synchronization	<ul style="list-style-type: none"> STC/GOP synchronization signal ISO/IEC13818-1, DVB-ASI Reference signal RS-170A-compliant analog black burst signal
Operation Temperature	0 °C to 40°C
Power Consumption	38VA or less

MF-730/XF-730 Frame

Number of mountable boards	Max, 14 board *1
Operation Temperature	0°C to 40°C
Configuration	Frame x 1 Power Supply Unit x 1 or 2 *2
Power supply	85 to 264V AC(single phase), 47 to 63Hz
Power Consumption	350VA (with maximum load)*3
Dimensions	132(H,3RU) x 480(W) x 500(D) mm

*1 This indicates the maximum number of boards which can be installed to MF700/XF700 Series frame with 1 slot size card.

*2 Redundant Power Supply system is available with two power supply units.

*3 The power consumption value indicated is measured under maximum load. Actual power consumption varies depending on the type(s) and quantity of boards mounted in the frame.



Safety precautions	To install, make connections and operate this product, please carefully read and observe instructions, precautions and recommendations in our instruction manuals.
---------------------------	--

● The colours in this brochure may differ from those of the actual unit. Designs and specifications of this product is subject to change without prior notice.

NEC Corporation
Americas and EMEA Sales Division
Greater China and Asia Pacific Sales Division
Broadcast and Video Systems
 7-1, Shiba 5-chome, Minato-ku, Tokyo,
 108-8001, Japan
 Tel: +81-3-3798-5463
 Fax: +81-3-3798-8476

NEC Europe Ltd.
Network Solutions Division
 NEC House, 1 Victoria Road, London
 W3 6BL, United Kingdom
 Tel: +44-(0)20-8993-8111
 Fax: +44-(0)20-8752-3735

NEC Asia Pacific Pte. Ltd.
 No.1 Maritime Square
 #12-10 HarbourFront Center
 Singapore 099253
 Tel: +65-6278-1818
 Fax: +65-6271-2088

NEC Latin America S.A.
 Av. Paulista, 2.300
 01310-300 Sao Paulo, SP
 Tel: +55-(0)11-3151-7000
 Fax: +55-(0)11-3151-7218